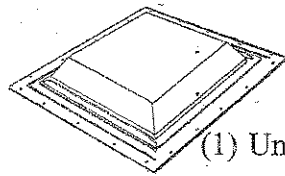


TUNNELITE™ INSTALLATION INSTRUCTIONS

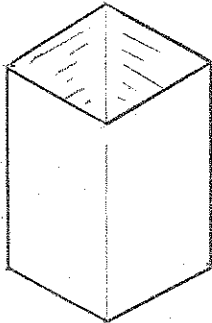
Thank you for purchasing a FoxLite TunneLite. The TunneLite is made of nearly indestructible space age plastics and has a lifetime limited warranty. The TunneLite also provides more and better light than any other tube light. Our double glazed (insulated) ceiling fixture also makes the TunneLite the most energy efficient unit available.

These instructions are a suggested way to install the TunneLite. Variations may be acceptable.

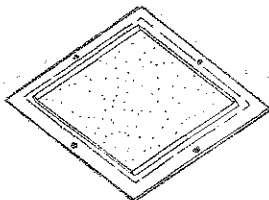
Parts included with the FoxLite TunneLite



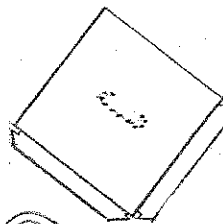
(1) Unbreakable low silhouette roof-mounted skylight



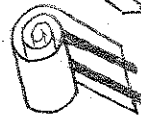
(1) Unbreakable corrugated tunnel shipped folded flat. No assembly required.



(1) Unbreakable ceiling diffuser lens. Double-glazed insulated with a Foam rubber air seal attached.



(1) Cardboard squaring tool squares tunnel during installations and is used as a hole pattern.



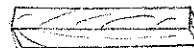
(1) roll butyl seal tapes



(48) screws and (4) caps



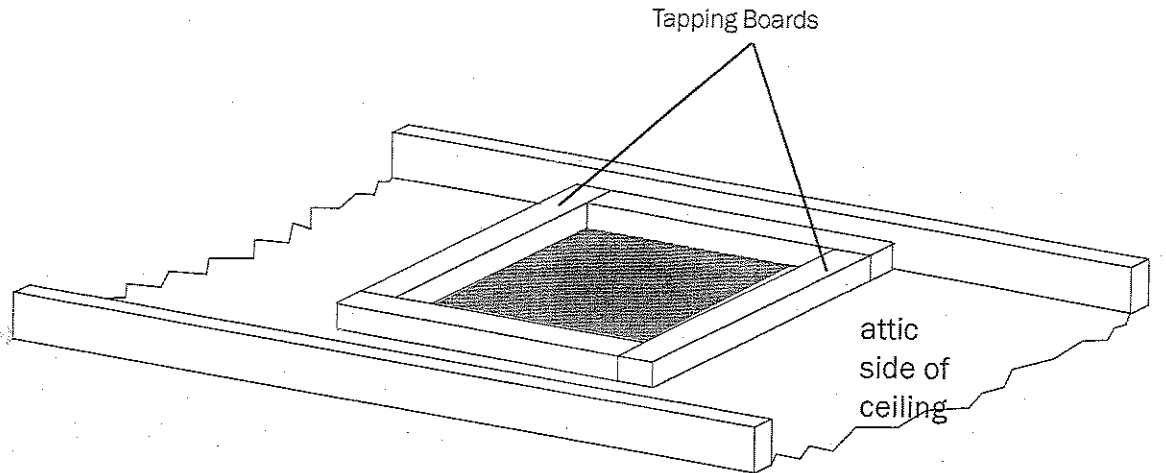
(1) roll aluminum foil tape.



(4) wood tapping boards.

-
- 1.) A. Before you cut a hole in the ceiling for your tunnelite, you should check the attic for obstructions and wires. A good technique is to drill a 1/16" hole in the ceiling where you want to install the tunnelite. Push a light colored coat hanger type of wire up through the 1/16" hole and the insulation in the attic. Now, when you go in the attic you can see exactly where the tunnelite will be. Push the insulation away from the area to check for wires and minimize the mess when you cut the hole in the ceiling.
 - b. The hole in the ceiling will be a 13 3/4" x 13 3/4" square. The cardboard squaring tool has notches in the corners so you can use it to mark the 13 3/4" square on the ceiling and later again on the roof.
 - 2.) Cut the hole in the ceiling with a saw or Roto Zip. (Hint: It makes less of a dust mess if you hold a vacuum wand up near the cutter.)

- 3.) Install the tapping wood at the edge of the ceiling hole on top of the drywall. Use two screws on each piece.



- 4.) Mark the roof opening position by sliding the tunnel up through the ceiling until it touches the underside of the roof. It's okay to tip the tunnel, but you will have to trim the bottom of the tube with a sharp blade to make it even with the ceiling after it's installed. Drill approximately $3/8$ " diameter holes up through the roof at the two corners that touch the roof. If the attic is not accessible, you can drill the holes by reaching up inside the tunnel with a long drill bit. These holes will be easy to find on the roof side.

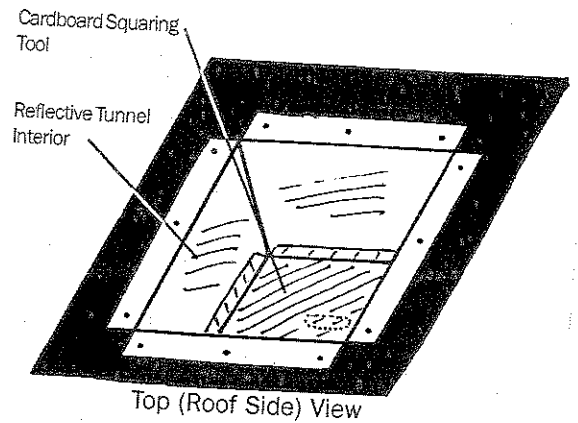
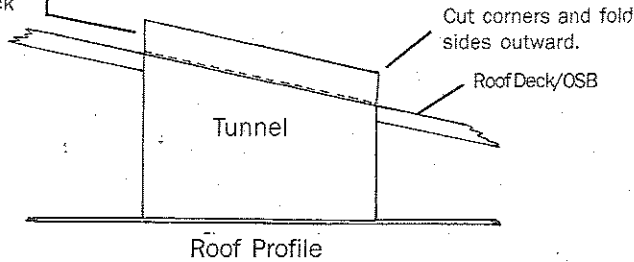
- 5.) a. You can use the squaring tool to mark the roof $13 \frac{3}{4}$ " wide hole. Plan to make the hole a little longer than $13 \frac{3}{4}$ " because of the slope of the roof. If the roof slope is 12/12 or more, it would be a good idea to slant the tunnel and reduce the hole length on the roof. Hole length up to $16 \frac{1}{2}$ " is okay on a 10/12 pitch roof.
b. Cut through the shingles and roof deck.
c. Cut the shingles back $1 \frac{1}{4}$ " from the top and side edges of the hole. DO not cut the shingles back on the low end. If you have more than one layer of roofing, only cut back the top layer. The tunnel flanges and skylight will be mounted on top of the lower layers of roofing. The squaring tool can be used as a pattern to cut back the shingles.
d. Optional: install tapping boards on the bottom of the roof deck if you use that option rather than the tunnel folded flange technique.

- 6.) a. Install the tunnel. Insert the squaring tool in the tunnel to assure the tunnel stays square while you fasten it to the ceiling tapping boards.
b. Push the tunnel up through the roof until the bottom edge is even with the ceiling.
c. Screw or nail or staple the tunnel to the tapping boards. If you tipped the tunnel, trim the bottom of the tunnel with a razor blade or sharp knife so it is flush with the ceiling.

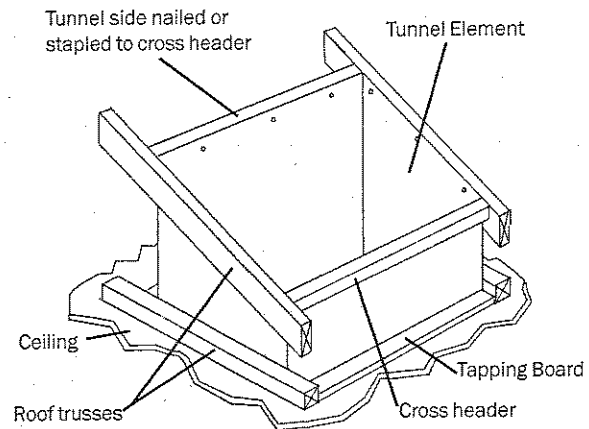
- 7.) a. On the roof, trim the tunnel down to 1" to 1 1/4" above the roof. Score the outside of the tunnel with a screw driver to allow the flange to be bent over.

Fold each flange and fasten to roof deck.

Min. 1 1/2" of tunnel protruding from roof deck



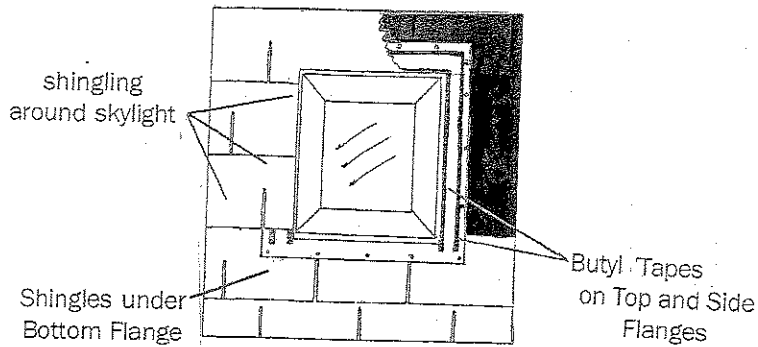
Optional: Install tapping boards under the roof deck rather than the Tunnel folded flange technique above.



- b. Screw the flange down all around the tunnel. Put foil tape over any gaps.
- c. If you use the flush cut off option on the roof end of the tunnel, then use the aluminum foil tape around the edges to seal the tunnel from the attic. If the seal is not good, you may get bugs from the attic in your tunnelite.

8.) Skylight Installation

- a. Apply the butyl seal tapes to the skylight flange as shown below.
- b. Leave the protective paper on the tapes. You will be able to pull the paper out from under the shingles after the skylight is installed. This allows you to slip the skylight flanges under the shingles without sticking to everything.
- c. After the position of the skylight is correct, put in the screws to permanently attach the skylight and pull the paper off of the butyl seal tapes. Press the shingles down onto the seal tapes and you are finished on the roof.



- 9.) a. Attach the ceiling diffuser lens with the white screws provided. Take care to get the lens tight against the ceiling. The rubber gasket must block warm air from leaking up into the tunnel that could cause condensation to form if necessary, use a caulk to assure the seal.
- b. White vinyl buttons are provided to cover the screw holes. These are a cosmetic option you may use if you wish.

ADDENDUM: CROSS SECTIONS OF SKYLIGHT DIFFUSER

