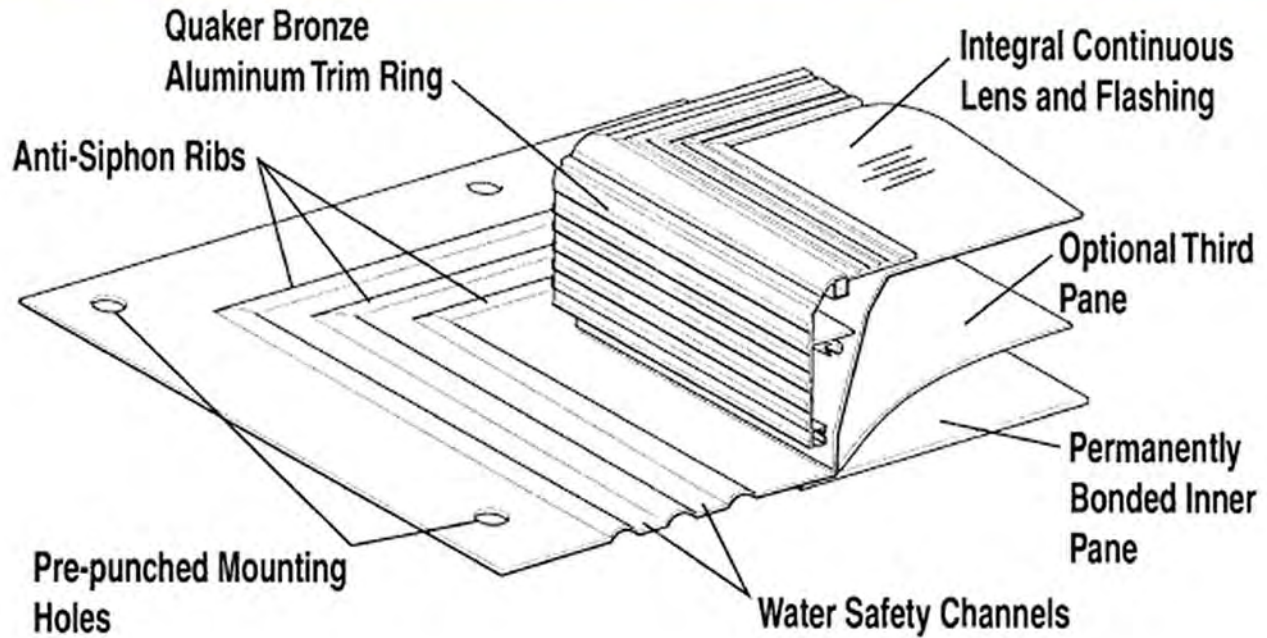


DGS-Series “Glass-like” Polycarbonate Skylight



Maximum Energy Efficiency	The Polycarbonate lenses do not conduct cold like glass.
Condensation Proof	The DGS-Series does not have or need condensation gutters or weep-holes.
Leak Proof	The seamless construction prevents any chance of water or air filtration.
Quality and Safety	Tough unbreakable Polycarbonate construction means no broken glass or failures of insulated glass seals.
UV Protection	Unlike glass. Polycarbonate is nearly 100% opaque to UV rays that cause fading.
Easy Installation	One-piece construction means the DGS-Series installs as easily as conventional flush-mount skylight.
Excellent Appearance	The appearance of flat glass with heavy-duty extruded aluminum trim ring in dark Quaker Bronze.
Limited Lifetime Warranty	The DGS-Series comes with a limited lifetime warranty
Low Cost	You get the appearance of glass with the durability of Polycarbonate at a much lower price.

FOXLITE LIMITED LIFETIME WARRANTY

All FoxLite Skylights have a Limited Lifetime Warranty to protect the original purchase against defects in material and workmanship. FoxLite's warranty covers our skylights against cracking, breaking or splitting provided the FoxLite Skylights are installed and maintained in accordance with the manufacturer's instructions. FoxLite, Inc. is not responsible for faulty installation or for other materials used in the installation(s). If a problem occurs within the first five (5) years after installation, FoxLite's Limited Lifetime Warranty will supply another skylight of similar size, type and color, FOB destinations. Any problem occurring after five (5) years, FoxLite will supply a new skylight of similar size, type and color for 50% off the current list price of that item, FOB Shipping Point.

Fox Lite, Inc.

www.foxlite.com



8300 Dayton Rd Fairborn OH 45324-1911

Local (937)864-1966 Toll Free 800-233-3699 Fax (937) 846-7010

Revised 07/13