

# F, F3, F4, SE and SD SERIES SKYLIGHTS INSTALLATION INSTRUCTIONS

**IMPORTANT: READ THE COMPLETE INSTRUCTIONS CAREFULLY BEFORE BEGINNING THE INSTALLATION OF A SKYLIGHT.** Be sure you have all the tools and materials required for the job. Allow at least 3 hours on a day with suitable weather to do the installation.

## REQUIRED TOOLS & MATERIALS

- |                     |   |
|---------------------|---|
| 1. Tape Measure     | 9. Drill                                      |
| 2. Knife            | 10. Drill Bit 1/8"                            |
| 3. Roofing Nails    | 11. Screw Driver                              |
| 4. 3/8" Head Screws | 12. 2 x 4's or 2 x 6's                        |
| 5. Hammer           | 13. Sponge Weather Seal                       |
| 6. Hand Saw         | Tape or Butyl Caulk                           |
| 7. Common 10D Nails | 14. Moulding, wood finish paneling or drywall |
| 8. Flashing         |   |

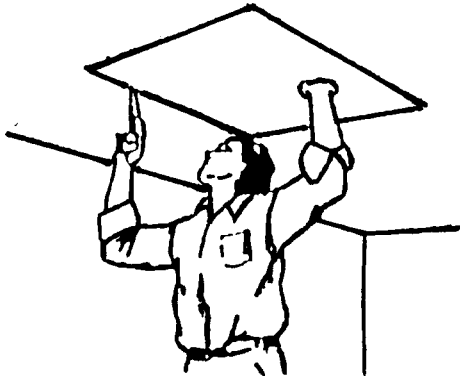
These installation instructions address both new construction and remodeling installations. If your installation is for new construction, skip Steps #1 & #2

SKYLIGHT SIZE	ROOF OPENING*
1616	14.5" X 14.5"
1624	14.5" X 22.5"
1632	14.5" X 30.5"
1648	14.5" X 46.5"
2424	22.5" X 22.5"
2432	22.5" X 30.5"
2448	22.5" X 46.5"
3232	30.5" X 30.5"
3248	30.5" X 46.5"
4848	46.5" X 46.5"

\* The above dimensions are maximum roof openings. Smaller roof openings are acceptable, larger are not.

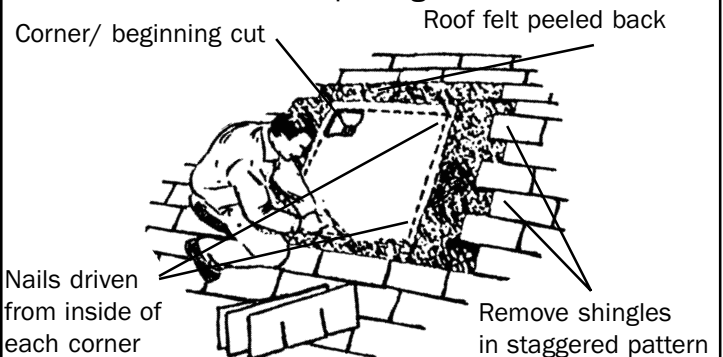
## 1. REMOVAL OF CEILING SECTION

Measure and mark ceiling location for your skylight. Try to install between rafters to minimize work (reference Steps #3 & #4). Before cutting, carefully check for electrical wiring above the ceiling. Cut and remove ceiling section and insulation.



## 2. REMOVAL OF ROOF SECTION

Locate corner position of roof opening using a level or rule as a guide and mark corner position on the interior side of roof (reference Step #4). To locate the roof opening drive nails at the corners up through the exterior of roof. Connect the four corner nails and trace desired roof opening.

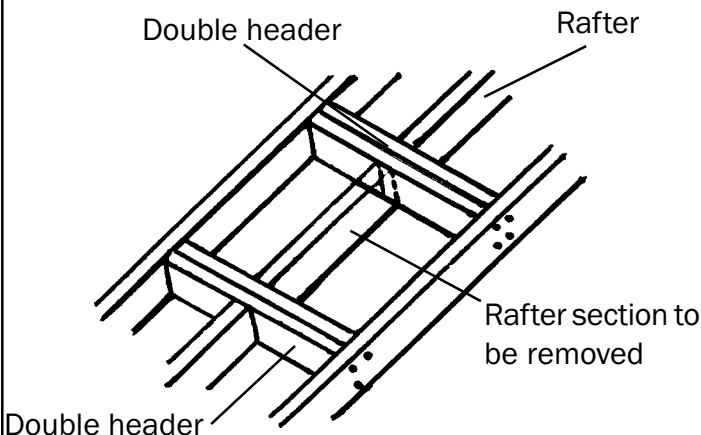


## 3. FRAMING OF ROOF OPENING

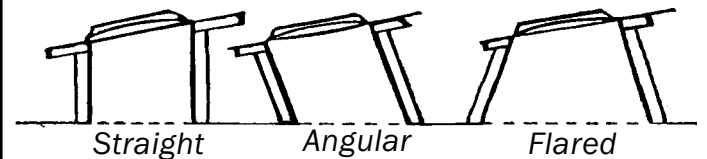
Framing for the interior of roof opening (attic area)

**IMPORTANT:** The inside dimensions of the framing must match the dimension chart above for proper skylight size/ roof opening. If the rafter has been cut use a double-header as shown in the figure below.

ADD A VAPOR BARRIER TO THE INTERIOR SIDE OF THE LIGHT SHAFT AND WALLBOARD.

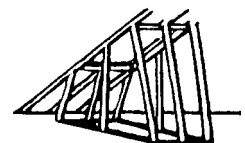


## 4. CONSTRUCTION OF LIGHT SHAFT



Direct light by use of a light shaft. Position skylight directly over area or slant/ flair light shaft to direct light to desired area. Frame in light shaft. Double framing in order to achieve at least 3.5" thickness in structure. Cover the exterior side (attic side) with plywood or sheathing. Hang insulation batts on the interior side of light shaft. Add a vapor barrier to the interior side of the light shaft under the wall board. Apply wall board inside shaft and finish as desired.

**NOTE:** Do not try to "bundle" the exterior side of light shaft with insulation. A small gap will cause the drywall to be cold. This can cause ice and moisture to form on the interior of light shaft.



## LIMITED LIFETIME WARRANTY

All FoxLite Skylights have a Limited Lifetime Warranty to protect the original purchaser against defects in material and workmanship. FoxLite's warranty covers our skylight lenses against cracking, breaking or splitting provided that FoxLite Skylights are installed and maintained in accordance with the manufacturer's instructions. FoxLite, Inc. is not responsible for faulty installation, or for other materials used in the installation(s). If a problem occurs within the first five (5) years after installation, FoxLite's Limited Lifetime Warranty will supply another skylight of similar size, type and color, F.O.B Destination. Any problem occurring after five (5) years, FoxLite will supply a new skylight of similar size, type and color for 50% off the current list price of that item; F.O.B Shipping Point.

## 5. SKYLIGHT PREPARATION: *Under Flange caulking/ sealing*

**IMPORTANT:** Do not rest the outer glaze of skylight on a hard or dirty surface unprotected. The skylight surface can be marred permanently. The skylights are shown upside down in the figures below

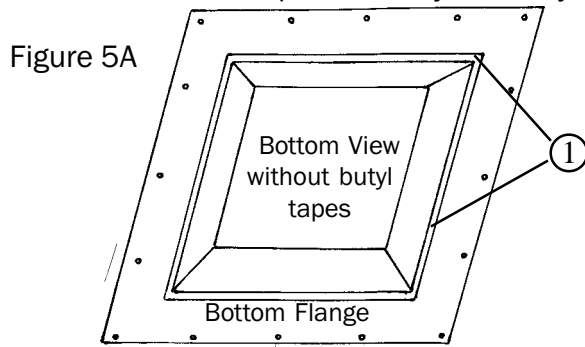


Figure 5A

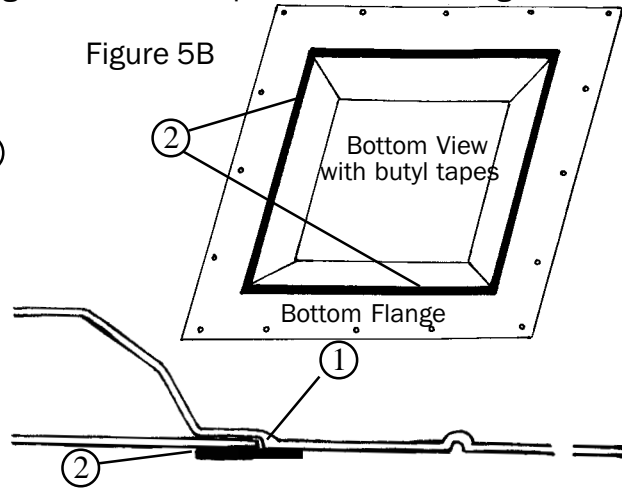


Figure 5B

Figure 5C: Butyl caulk placement

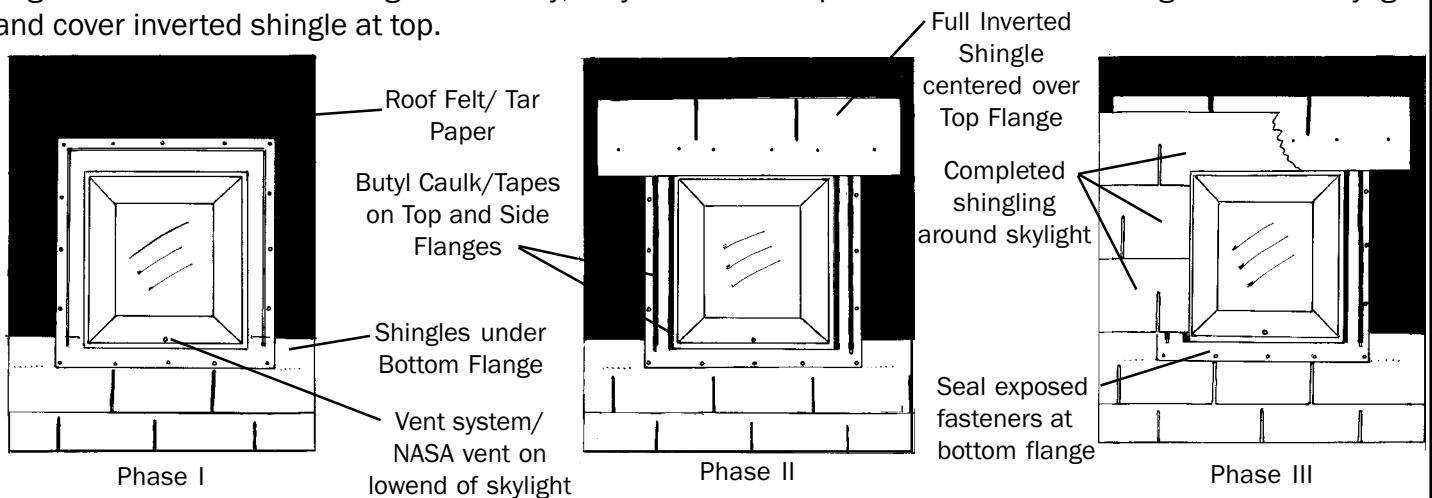
- ① Outer edge of inner glaze    ② Butyl tape or butyl caulk covers edge of inner glaze. 1/8" x 1/2" minimum

## 6. SKYLIGHT INSTALLATION: Roof Side

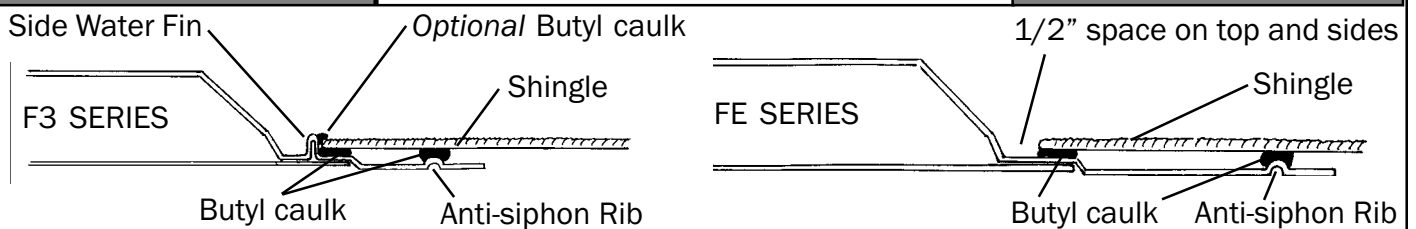
Center skylight over roof opening. Place lower row of shingles under bottom skylight flange as illustrated. Always mount skylight with the roof vent (black rubber grommet and foam plug) at low end of roof. Failure to do so will result in inadequate water control/ drainage and ventilation of skylight. Staple, nail or screw (based on Wind Zone requirements) the flange area of skylight through the pre-punched mounting holes. Start at the middle of each side and work toward the corner. **DO NOT OVERDRIVE FASTENERS!** Apply butyl tape/caulk to top and side flanges of skylight. The butyl should be applied in two beads. Apply one bead around perimeter of skylight dome (top, left and right sides only) and another bead on top of anti-siphon rib near mounting holes (top, left and right only). These butyl beads will provide an excellent water seal and adhesion to shingles. Once skylight is mounted to roof deck, shingle sides of skylight under the following guidelines:

For F3 Series, install shingle against side water fins.

For FE Series, install shingles with a 1/2" gap between shingle edge and skylight dome on top and side edges. Failure to install shingles correctly, may cause inadequate water control. Shingle around skylight and cover inverted shingle at top.



### CROSS SECTIONS OF F3 & FE



## 7. CROSS SECTION OF SKYLIGHT, ROOF & RAFTERS.

