

LITEMASTER- GLASS OR POLY (LMG/LMP) INSTALLATION INSTRUCTIONS

IMPORTANT: READ THE COMPLETE INSTRUCTIONS CAREFULLY BEFORE YOU START TO INSTALL YOUR SKYLIGHT. Be sure you have all the tools and materials needed for the job. Allow at least 3 hours on a day with suitable weather to do the job.

TOOLS AND MATERIALS NEEDED

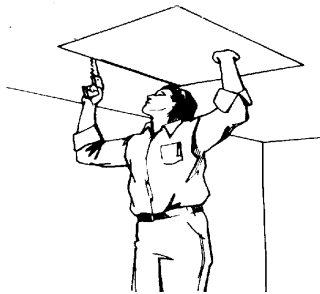
- | | |
|------------------|-----------------------------|
| 1. TAPE MEASURE | 9. INSULATION |
| 2. UTILITY KNIFE | 10. ROOFING CEMENT OR CAULK |
| 3. ROOFING NAILS | 11. 2 X 4'S OR 2 X 6'S |
| 4. PENCIL | 12. MOLDINGS, WOOD FINISH |
| 5. HAMMER | 13. DRYWALL OR PANELING |
| 6. HAND SAW | |
| 7. SQUARE | |

DIMENSION CHART

SKYLIGHT SIZE	ROOF OPENING
1632	14.5" X 30.5"
2424	22.5" X 22.5"
2432	22.5" X 30.5"
2448	22.5" X 46.5"

1. REMOVAL OF CEILING SECTION

Measure and mark ceiling location for your skylight. Try to install between rafters to minimize your work (reference sections 3 & 4). Before cutting, carefully check for electrical wiring above the ceiling. Cut and remove

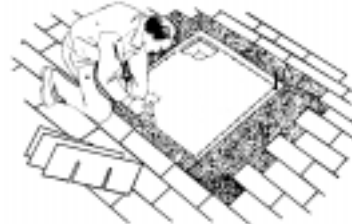


2. REMOVAL OF ROOF SECTION

Locate corner position of roof opening using a level or rule as a guide and mark corner position on the interior side of roof (reference section 4).

To locate the roof opening drive nails at corners up through to exterior of roof.

Carefully remove shingles for re-use and cut roof felts. Cut and

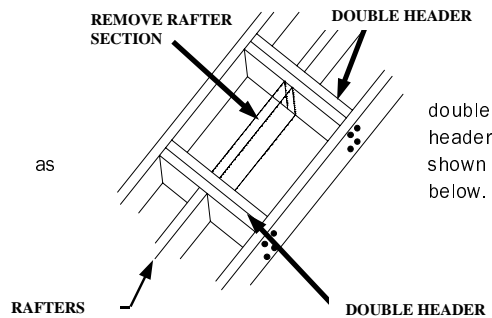


3. FRAMING ROOF OPENING

Frame the inside of the roof opening.

IMPORTANT: The inside dimensions of the framing must match the dimension chart above for proper skylight size/roof opening. If the rafter has been cut use a

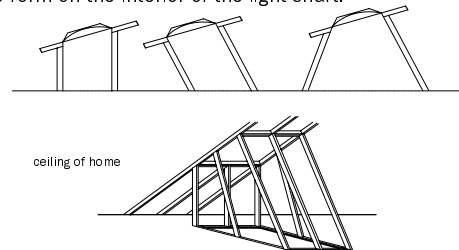
Add a vapor barrier to the interior side of the opening from roof down inside as



4. CONSTRUCTION OF LIGHT SHAFT

Direct light by use of light shaft. Position skylight directly over area or slant/flair light shaft to direct light to area wanted. Frame in light shaft Double up framing to get at least 3.5" thick structure. Cover the exterior side (ATTIC SIDE) with plywood or sheathing. Hang insulation batts on the interior side of light shaft. Apply wall board inside shaft and finish.

NOTE: Do not try to "BUNDLE" exterior of light shaft with insulation. A small gap will cause the drywall to be cold. This can cause ice and moisture to form on the interior of the light shaft.

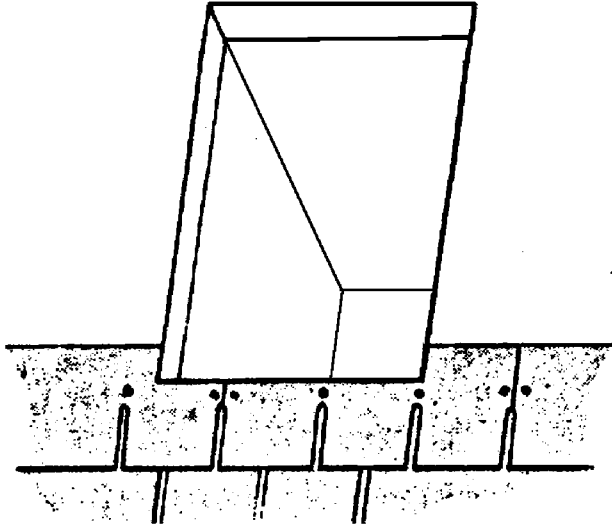


5. PREPARING OPENING

Shingle roof deck up to lower edge of the skylight roof opening.

Cut shingles to fit around end of roof opening if necessary.

Center skylight over hole and secure with nails at corners of flashing.



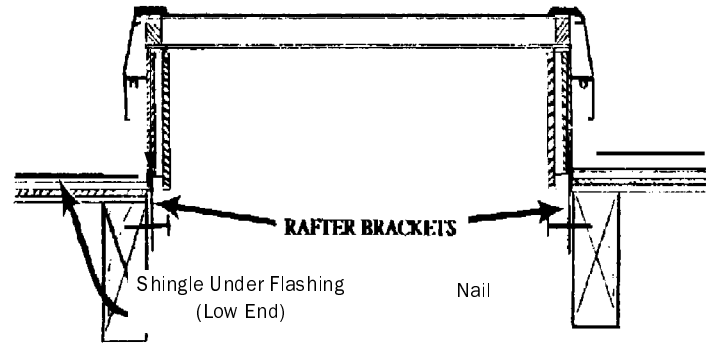
6. SECURING SKYLIGHT

Nail down side flashings only where holes are pre-punched in corners. To hold down skylight use rafter attachment brackets attached to wood curb.

NOTE: Rafter brackets are bent to the side when packaged for shipment.

Bend rafter brackets straight down.

Nail or screw brackets into rafters securing skylight.



7. FINAL INSTALLATION

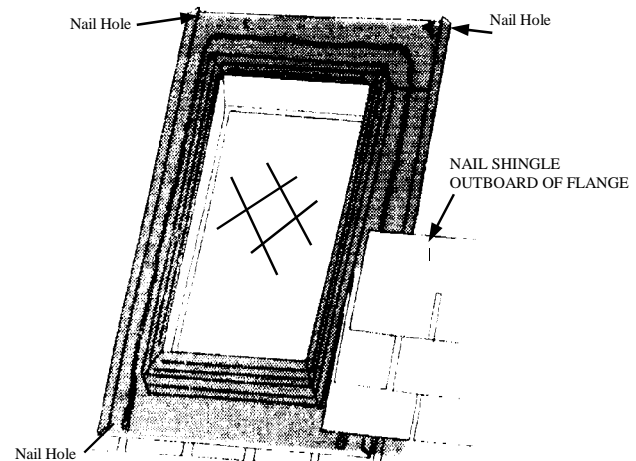
Curbs are pre-caulked by factory, no other caulking is necessary. (If not continue with step seven.)

NOTE: If optional step flashing is to be used, go to step eight for installation instructions.

CAUTION: Do not nail through flashings when adding shingles.

Add each row of shingles as shown. Leave 1" gap between end of shingles and curb.

Place top row of shingles over top flashing as shown in step eight.



8. INSTALLING OPTIONAL STEP FLASHING KIT

Note: Two special cut step flashing are supplied for top of LH & RH steps, to slip under upper flashing pan.

CAUTION: Do not nail through flashing when attaching shingles.

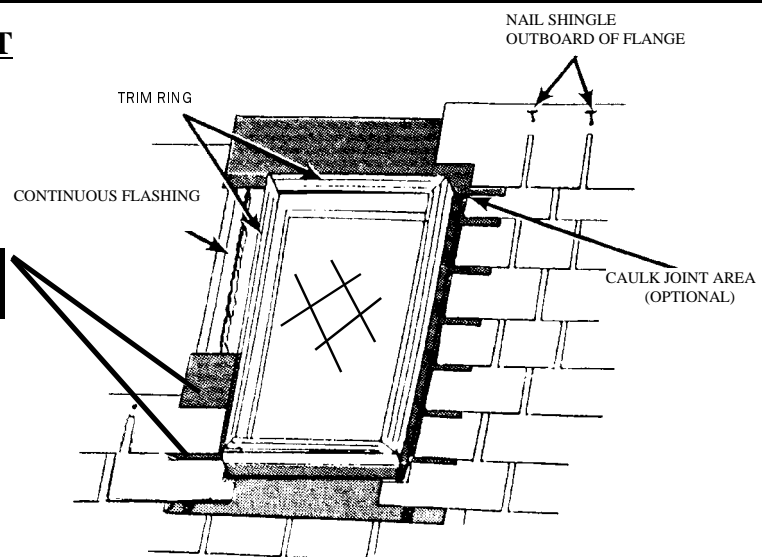
Slip each Step Flashing under trim ring or counter flashing and slide up under each shingle until flush with the bottom of shingle.

Secure step flash with a nail through pre-punched nailing holes.

Nail shingles outboard of flashing.

Large flashing across top must be over side shingles and under top shingles.

Place top row of shingles over top flashing.



9. INTERIOR FINISH

Wall around exterior of light shaft with plywood or exterior sheathing. Pack fiberglass into shaft walls. Install a vapor barrier and finish interior of shaft with wallboard or paneling. Finish shaft interior with bright white paint or with mirrors to maximise effectiveness of the skylight.