

Metal Roof

F, F3, F4, Se or SD - SERIES INSTALLATION INSTRUCTIONS

IMPORTANT: READ THE COMPLETE INSTRUCTIONS CAREFULLY BEFORE YOU START TO INSTALL YOUR SKYLIGHT. Be sure you have all the tools and materials needed for the job. Allow at least 3 hours on a day with suitable weather to do the job.

TOOLS AND MATERIALS NEEDED

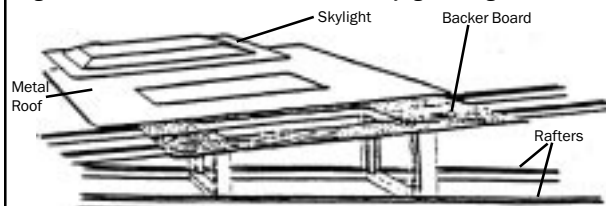
1. Pencil	5. Hand Saw	9. Tin Snips	13. 2x4's or 2x2's
2. Square	6. Insulation	10. Screwdriver	14. Mouldings, Wood Finish
3. Utility Knife	7. Tape Measure	11. Sheet Metal Screw #8x1/2"	15. Drywall, Paneling or Ceiling tile for tunnel
4. Hammer	8. Butyl Caulk	12. Common 10d nails	

RETROFIT APPLICATION

1. Mark the ceiling location for your skylight. Try to install between the rafters to minimize your work (reference section 3). Before cutting, carefully check for electrical wiring above the ceiling. A carefully cut inspection hole should be used. Cut and remove ceiling and insulation.



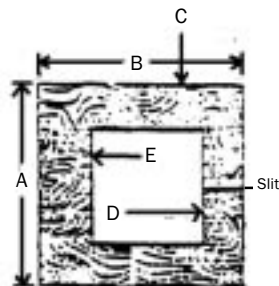
2. Make a 3/8" or 1/2" thick plywood backer board to fit on top of the rafters under the roof sheet metal. This backer board is used to give the skylight mounting screws an attachment under the thin sheet metal roof. The hole in the backer board is the same size as the skylight roof opening. The backerboard outside dimensions are the same or larger than the overall dimensions of the skylight flanges.



The slit allows backer board to be slipped under roofing material on one side and turned a full circle to get it under the sheet metal.

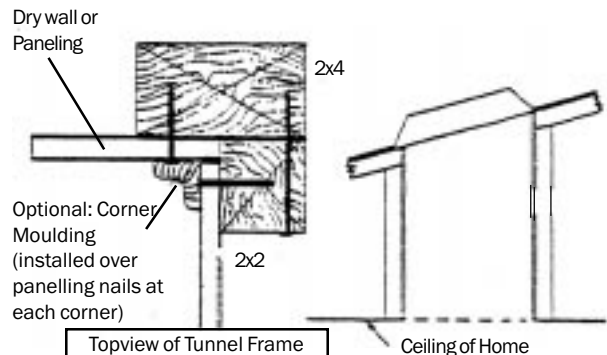
Skylight Size	Roof Opening	A	B	C	D	E
1616	14.5"x14.5"	26.5	26.5	6	5	7
1624	14.5"x22.5"	26.5	34.5	6	5	7
1632	14.5"x30.5"	26.5	42.5	6	5	7
1648	14.5"x46.5"	26.5	42.5	6	5	7
2424	22.5"x22.5"	34.5	34.5	6	5	7
2432	22.5"x30.5"	34.5	42.5	6	5	7
2448	22.5"x46.5"	34.5	58.5	6	5	7
3232	30.5"x30.5"	42.5	42.5	6	5	7
3248	30.5"x46.5"	42.5	58.5	6	5	7
4848	46.5"x46.5"	58.5	58.5	6	5	7

ROOF OPENING - Maximum roof opening must be 1.5" under the skylight size, either direction. i.e., 16"x16" skylight has a roof opening of 14.5"x14.5"



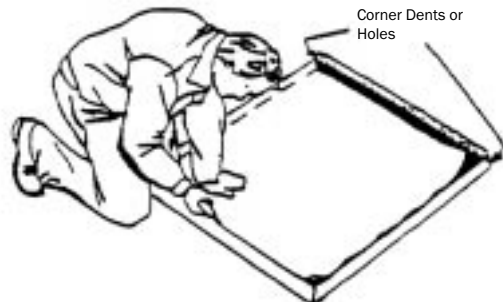
RETROFIT APPLICATION, WHERE APPLICABLE

3. Locate the roof openings directly above the hole in the ceiling (use a square). Draw lines perpendicular with the room ceiling up to the underside of the roof. Use a sharp object like an awl or ice pick to push four dents or holes in the roof. This defines the corners of the skylight opening on to the roof. Use 2 x 4's or 2 x 2's to frame the tunnel up to the roof. Make sure all ceiling and tunnel paneling edges are supported.

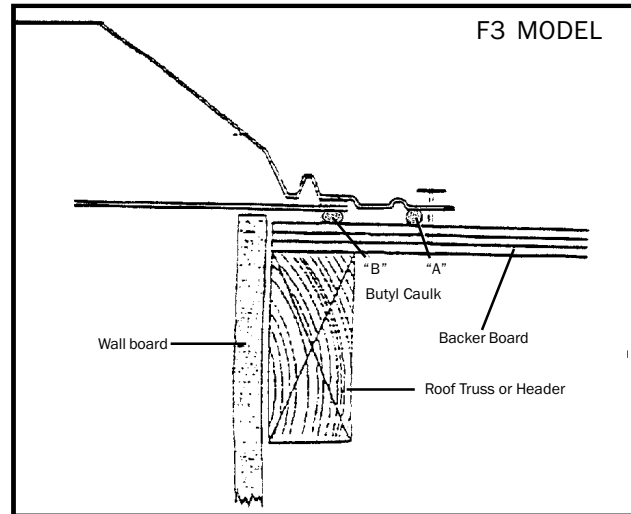
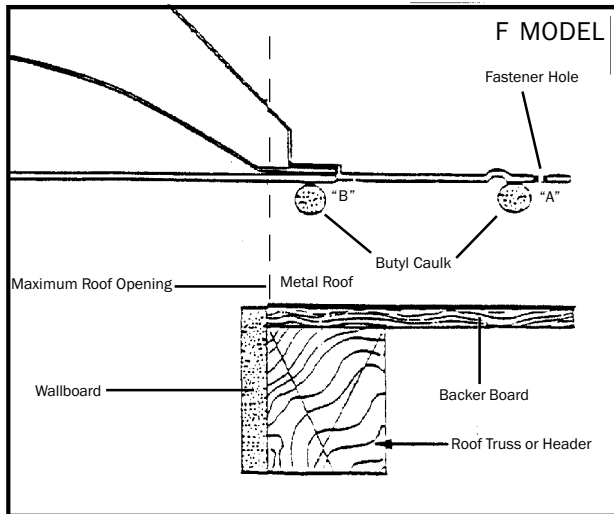


4. On top of the roof, locate the awl or icepick dents and mark the dotted cut lines.

The cut lines on many roofs can be deeply scribed with a utility knife and peeled open like a rooftop tin can. If the roof metal is too thick to peel, use tin snips. Fold the one inch wide edges over flat on top of the roof and nail onto the backer board and rafter.



5. ALL CAULKING IS TO BE APPLIED TO SKYLIGHT BEFORE MOUNTING. Do not remove protective plastic cover from the glaze until the skylight is completely installed. Center the skylight above roofing (holding the skylight away from the roof surface). When you are satisfied with the location, rest the skylight on the roof. Be sure bottom pane is resting on the roof around the entire perimeter. Install the fasteners, first from the center of each side and work to each corner. Tighten the fasteners only to the point when you can visually see uniform compression of the caulk. Do not over-tighten fasteners, as it will distort the material making sealing more difficult. Apply additional caulk to cover screws and to fill any voids around the perimeter, smooth excess by hand. Finish interior tunnel and then remove the protective plastic from the interior glaze **WARNING: BOTTOM PANE MUST BE SUPPORTED!**



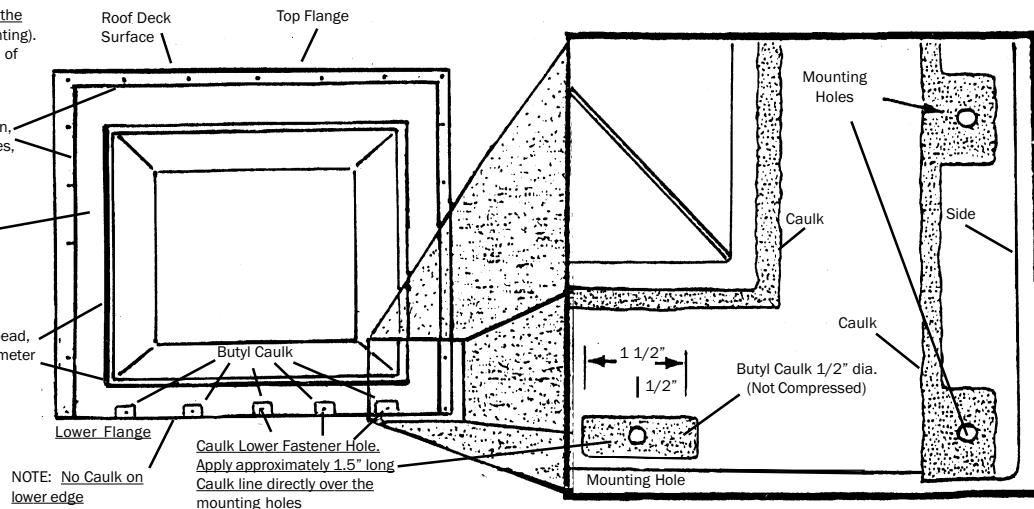
TOP VIEW OF CAULK LINES

Butyl Caulk Application applied on the flange of the skylight (before mounting). Butyl tapes are acceptable instead of Caulk.

Row "A" Caulk Line - 1/2" min diameter (noncompressed) location, just inside pre-drilled fastener holes, along top and both sides

Open Space - between caulk beads to allow water drainage

Row "B" Caulk Line - 5/8" - 3/4" diameter (noncompressed) caulk bead, the bead to be around the full perimeter of the inner glaze.



SUGGESTED INTERIOR FINISH

6. Insulate tunnel with fiber glass batts stapled or taped in place. Cut tunnel wall panels from matching ceiling or paneling and nail in place

Recommend minimum insulation "R" factor of R-11

Clean plastic with soap and water **ONLY.**

